



Fluidmaster®



AIRGAP™

TOILET FILL VALVES



**A REVOLUTION IN
FILL VALVE TECHNOLOGY**

WWW.FLUIDMASTER-AIRGAP.COM

A REVOLUTION IN TOILET FILL VALVES IS COMING

ARE YOU READY TO

JOIN THE REVOLUTION

Fluidmaster AIRGAP valves represent the next generation of toilet fill valves. Developed exclusively with UK water authorities, AIRGAP valves redefine safety and performance standards.

Innovation in visible air gap technology provide the strongest defence against backflow, totally eliminating blue water incidents. Designed for rapid and easy installation AIRGAP valves feature fast-fit height adjustment, no more wet hands. Maintenance is now easier than ever thanks to the no-tools design.

Vortex generation technology produces a spiral flow of water at the outlet - AIRGAP valves are the quietest valves of their type designed for silent operation in all conditions.



BANISH BLUE WATER



**DEVELOPED WITH UK
WATER AUTHORITIES**



**SPIRAL FLOW
VORTEX-GENERATOR™
FOR QUIET FILL**



**SAVES WATER EVERY
FLUSH UP TO 1 LITRE**



**FAST-FIT HEIGHT
ADJUSTMENT**



**FITS VIRTUALLY
ALL CISTERNS**



5 YEAR WARRANTY



**DESIGNED AND
ENGINEERED IN THE UK**

NON-DELAY, BRASS SHANK, BOTTOM ENTRY

NON-DELAY, PLASTIC SHANK, BOTTOM ENTRY

NON-DELAY, BRASS SHANK, SIDE ENTRY

NON-DELAY, PLASTIC SHANK, SIDE ENTRY



@FluidmasterUK



@FluidmasterUK



**EASY SERVICE
NO TOOLS REQUIRED**

**SPIRAL VORTEX-GENERATOR™ FOR
QUIET CISTERN REFILL**

**UNIQUE
FLUIDMASTER
AIR-GAP™
TECHNOLOGY
TOTALLY ELIMINATES
BACKFLOW**



Fits Virtually All 1/2" or 3/8" Bottom Entry Cisterns



Fits Virtually All 1/2" or 3/8" Side Entry Cisterns

**FAST-FIT HEIGHT
ADJUSTMENT,
INSTALLS TO WATER
LEVELS BETWEEN
140MM - 240MM**

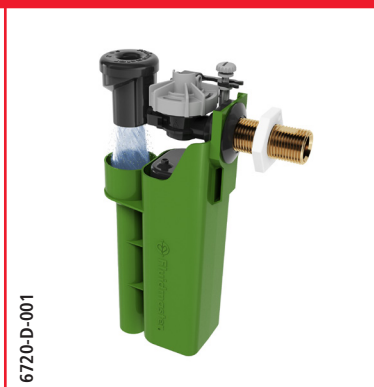
**HIGH PERFORMANCE
AT HIGH AND LOW
PRESSURE**

**RESISTANT TO
PIPE DEBRIS**

**1/2" OR 3/8"
BRASS SHANK
FOR EASY INSTALL**



DELAYED FILL, BRASS SHANK, BOTTOM ENTRY DELAYED FILL, PLASTIC SHANK, BOTTOM ENTRY DELAYED FILL, BRASS SHANK, SIDE ENTRY DELAYED FILL, PLASTIC SHANK, SIDE ENTRY





Fluidmaster®



BE PART OF THE REVOLUTION IN FILL VALVE TECHNOLOGY

FITS VIRTUALLY ALL SIDE ENTRY CISTERNS



The provision and protection of a safe drinking water supply is of ultimate importance to every growing population.



Our UK water industry is a world leader in this field, working to the highest quality standards and producing one of the world's most reliable and purest sources of drinking water.



In a continual effort to improve, the UK water authorities are in the process of establishing the next generation of standards and test procedure. Fluidmaster has been intrinsically involved in reviewing existing criteria and developing the new safety benchmark for toilet fill valves.



As a global manufacturer, Fluidmaster supplies a high performance range of products throughout Europe.



The new Fluidmaster AIRGAP range sets the standard for safety in relation to toilet fill valves and has game changing performance following in the tradition of Fluidmaster innovation.

Ordering Code	Thread Size	Description	Barcode	Height (mm)	Width (mm)	Length (mm)	Product Weight with Box (kg)
6420-S-001	1/2"	NON DELAY, 1/2", BRASS SHANKED, BOTTOM ENTRY	5011629023009	347	112	67	0.39
6720-S-001	1/2"	NON DELAY, 1/2", BRASS SHANKED, SIDE ENTRY	5011629023023	226	156	68	0.30
6420-D-001	1/2"	DELAYED, 1/2", BRASS SHANKED, BOTTOM ENTRY	5011629023030	347	112	67	0.39
6720-D-001	1/2"	DELAYED, 1/2", BRASS SHANKED, SIDE ENTRY	5011629023047	226	156	68	0.30
6410-S-001	1/2"	NON DELAY, 1/2", PLASTIC SHANKED,, BOTTOM ENTRY	5011629023054	347	112	67	0.31
6710-S-001	1/2"	NON DELAY, 1/2", PLASTIC SHANKED, SIDE ENTRY	5011629023061	226	156	68	0.22
6410-D-001	1/2"	DELAYED, 1/2", PLASTIC SHANKED, BOTTOM ENTRY	5011629023078	347	112	67	0.31
6710-D-001	1/2"	DELAYED, 1/2", PLASTIC SHANKED, SIDE ENTRY	5011629023085	226	156	68	0.22
6480-D-001	3/8"	DELAYED, 3/8", BRASS SHANKED, BOTTOM ENTRY	5011629023221	347	112	67	0.39
6780-D-001	3/8"	DELAYED, 3/8", BRASS SHANKED, SIDE ENTRY	5011629023228	226	156	68	0.30

Fluidmaster UK, Twyford Road, Hereford, HR2 6JR
 (+44) 01432 357331 Fax (+44) 01432 264014.
www.fluidmasterUK.com
salesuk@fluidmaster.com

Red/Green colour arrangement is a registered trademark of Fluidmaster, Inc.
 © 2019 Fluidmaster, Inc. ® Registered trademark of Fluidmaster, Inc.
 U.S. and Other Patents Pending.



@FluidmasterUK



@FluidmasterUK



Fluidmaster®